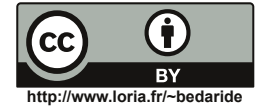
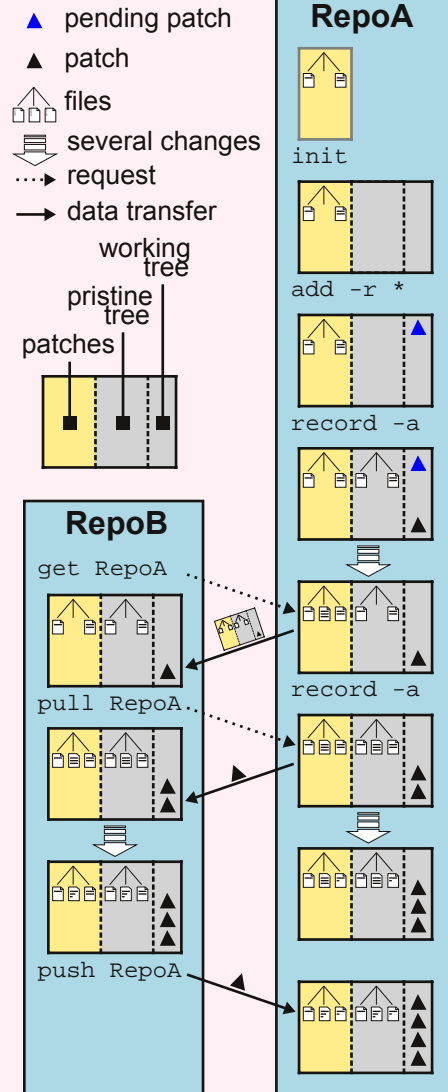


# Darcs 2.8 Cheat Sheet



## Example of Use



## Common Options

-a --all answer yes to all patches  
 -i --interactive prompt user interactively  
 -s --summary summarize changes  
 -u --unified use unified diff output format  
 -l --look-for-adds look for files to add  
 -p REGEXP --patches=REGEXP select patches matching REGEXP  
 -t REGEXP --tags=REGEXP select tags matching REGEXP

## Creating Repository

init Initialize a new repository  
 get <REPOSITORY> [<DIRECTORY>] Create a local copy of a repository  
 put <NEW REPOSITORY> Copy repository to remote ssh

## Modifying Repository Contents

add [-r] <FILE or DIRECTORY> Add files or directories  
   -r add contents of subdirectories  
 remove [-r] <FILE or DIRECTORY> Remove files or directories  
 mv [FILE or DIRECTORY] Move/Rename files or directories  
 replace <OLD> <NEW> <FILE> Replace a token by a new value  
   -f replace even if 'new' token exists

## Working with Changes

record [-alm] [FILE or DIRECTORY] Save changes as a patch  
   -m PATCHNAME name of patch  
 pull [-apts] [REPOSITORY] Copy and apply patches from a repository  
 push [-apts] [REPOSITORY] Copy and apply patches to a repository  
 send [-Aaoptsu] [REPOSITORY] Send by email a bundle of patches  
   -A EMAIL specify author id  
   -o FILE specify output filename  
 apply [-i] <PATCHFILE> Apply patches from a bundle

## Seeing Your Changes

whatshew [-lsu] [FILE or DIRECTORY] Display unrecorded changes  
 changes [-ipt] [FILE or DIRECTORY] Gives a summary of the history  
 show files List version-controlled files

## Undoing - Redoing

amend-record [-alp] [FILE or DIRECTORY] Replace a patch with another version  
 rollback [-p] Record an inverse patch  
 unrecord [-pt] Remove recorded patches  
 unpull [-pt] Alias for obliterate  
 obliterate [-pt] Delete patches and their effect  
 revert [-a] [FILE or DIRECTORY] Revert to the recorded version  
 unrevert [-a] Undo the last revert

## Other Useful Commands

dist [-dt] create a distribution tarball.  
   -d DISTNAME name of version  
 setpref <PREF> <VALUE> set a value for a preference  
 test <COMMAND> pretest <COMMAND>  
 boringfile <FILE> binariesfile <FILE>  
 tag [TAGNAME]

## Advanced Commands

annotate [-pstu] [FILE or DIRECTORY] Show what patch modified each line of a file or directory  
 diff [-pu] [FILE or DIRECTORY] Do a diff between two versions  
 optimize [--reorder] Optimize (clean up) repository.  
   --reorder optimize patches wrt tags  
 repair [--dry-run] Repair a corrupted repository  
 mark-conflicts Mark any conflicts to the repository  
 test [--linear, --bisect] [[INIT] CMD] Locate the most recent version lacking an error